

Optical Comb Generator WTAS-01



WTAS-01 is a Fabry-Perot Electro-Optic optical frequency comb generator with high frequency stability and low phase noise. The components are all passive so that the comb stability and comb interval are equal to input laser and modulation frequency (RF) respectively. Hermetic sealed waveguide FP-EO modulator/WR-250-03 is built-in for comb generator to realize high performances and high reliability. The generated comb span becomes more than 10 THz. WTAS-01 is all-in-one unit and user friendly*1.

*1 not including input laser.

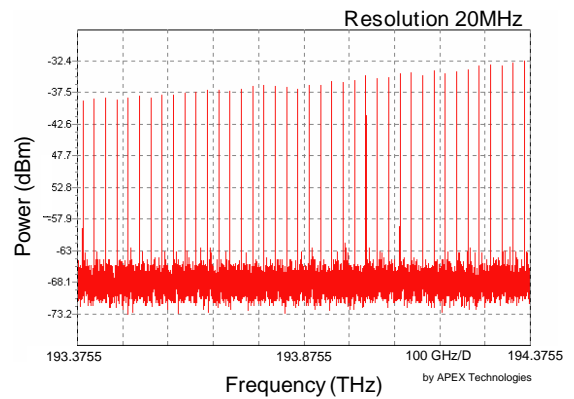
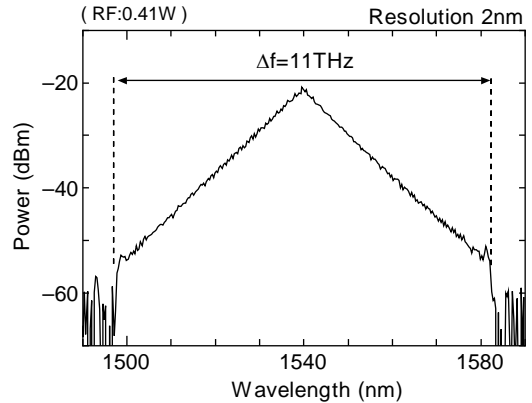
Features

- High finesse FP cavity
- High stability and low phase noise
- Stable comb output

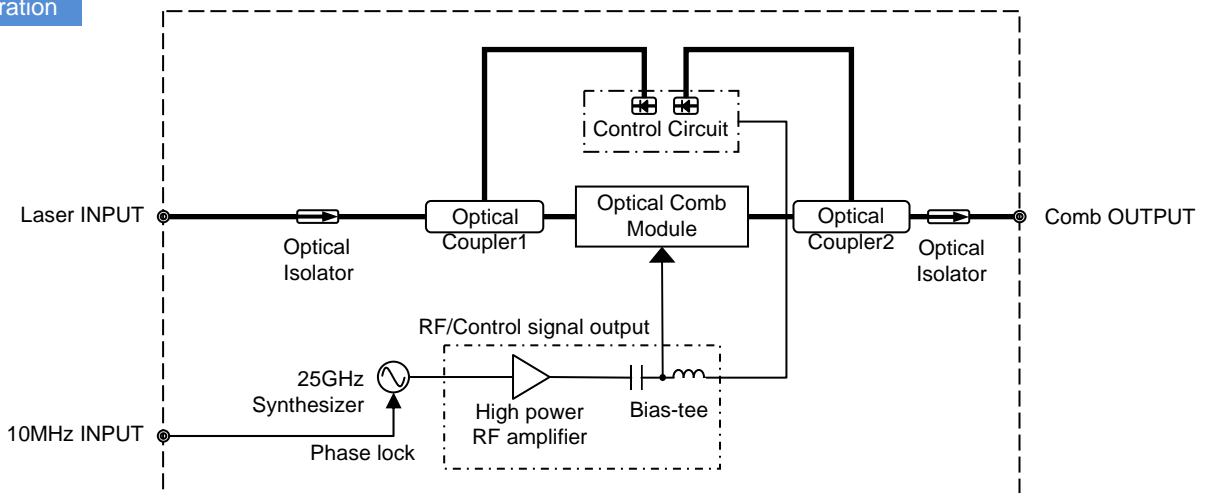
Applications

- Optical Communication
- OCT
- Optical Metrology
- Phase-locked THz-wave synthesis

Comb Spectrum



Configuration



Optical Comb Generator WTAS-01

Item	Specification	Item	Specification
Optical Input		Comb Output	
Center wavelength* ²	1530 ~ 1565 nm single mode, single frequency	Comb interval	25 GHz
Maximum optical input power	40 mW	Career frequency stability	Same as input laser
Line-width	< 10MHz	Comb interval stability	Same as reference
Optical fiber	PM	Insertion loss	< 30dB
Polarization	Slow axis	Comb span	> 10 THz (+/- 40nm from center wavelength)
Optical connector	FC/UPC	Flatness	-7 dB / THz
Reference Signal* ³		Others	
Reference signal	External	Power supply	100 ~ 250 VAC
Reference frequency	10 MHz	Operational temperature	23 +/- 5 degree C
Input level	1 dBm	Dimension	466W x 435D x 135H mm ³ (19 in x 3U)
Connector	SMA	Weight	< 20 kg

*² Laser input should be stable and line-width less than 10 MHz is recommended.

*³ External input is standard. Internal is optional.

Brochures might be changed without notice.

Optical Comb, Inc.

■ Head Office

5F, E/Front., 3-11, Kanda Ogawamachi, Chiyoda-ku,
Tokyo 101-0052 Japan
TEL.+81-3-6426-2831 FAX.+81-3-3296-7200

■ Yokohama R&D Center

Tokyo Tech, Yokohama Venture Plaza W103, 4259-3,
Nagatsuta-cho, Midori-ku, Yokohama-shi, Kanagawa
226-8510 Japan
TEL.045-982-2213 FAX.045-982-2215
<http://www.optocomb.com>